



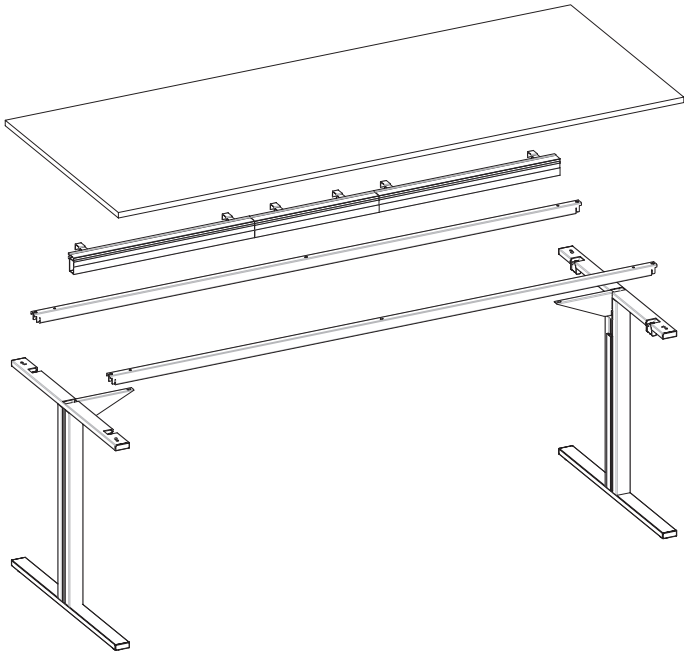
T W O R K

TECHNICAL DATA



Tecnichal specifications

The TWork series arises from the need for new ways of organising workspaces and solving modern storage problems.



Structures

MATERIAL

The metallic structure complies with the following standards:

- Dimensions: EN 527-1:2000 Clauses 3, 4, 5.
- Safety requirements: EN 527-2:2002 Clauses 3, 4.
- Test methods for mechanical strength: EN 527-3:2003 Clause 6.1 to 6.6.

BEAMS

They are made of two, 35x25x1.5 mm tubes set back 120 mm from the edge of the table top.

COATING

Phosphate coated, 80 micron antirust epoxy powder, guaranteeing 200 hours of salt spray.

- Resistance to household chemicals: UNE 48027:1980; 5 (24H), 4 (72H).
- Resistance to mechanical damage: UNE-EN ISO 2409:2007; Classification: 0.
- Impact resistance: UNE-EN ISO 6272-1:2004; at 500 mm without cracking.
- Resistance to humidity: UNE-EN ISO 6270-1:2002; unaffected.
- Accelerated weathering: UNE EN ISO 11507:2007; 24H, decrease in gloss <25%.

Table tops

MELAMINE

Mélamine de 19 ou 30 mm sur aggloméré haute densité (600 kg/m³) et chanten ABS / PVC de 2 mm.

WOOD

19 mm particle board with natural wood veneer.

Legs

The horizontal and vertical columns are made with 50x20x2 mm and 50x30x1.5 tubes respectively. There are three different leg widths depending on the depth of the table: 600, 700 or 800 mm. The double leg corresponds to the succession of two individual legs, taking advantage of the series' items.

The levellers are made with M10 polypropylene (PP), with a 12 mm levelling range.

The height of the leg is 720 mm, so the height of the desk is 740 mm with a 19 mm table top and 750 mm with a 30 mm table top.

The vertical column of the leg features an embellishment profile and a power supply profile.

“TECHLINE” VERTICAL EMBELLISHMENT

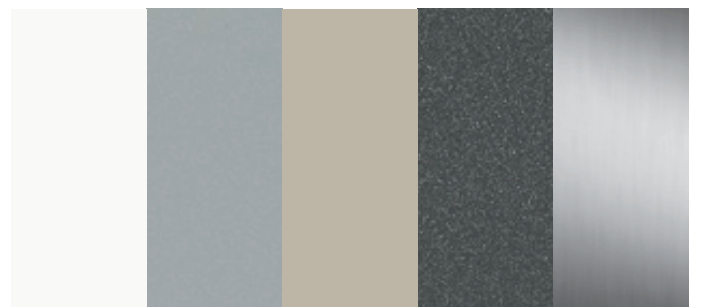
Functionally aesthetic aluminium embellishment that features a height adjustable track to attach accessories to the leg.

Available in several colours to enable users to personalise the leg, in combination with the different trims of the structure.

“TECHLINE” POWER SUPPLY PROFILE

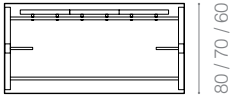
Length of flexible PVC to carry and organise wiring inside the leg. The profile enables the separation of data and power cables, with easy access to both.

Available in the same trim as the structure.

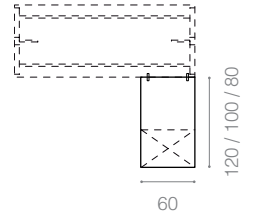
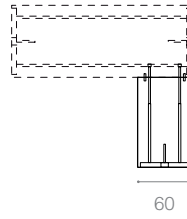
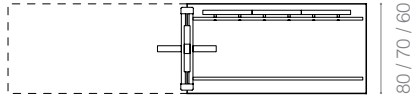


Models and dimensions

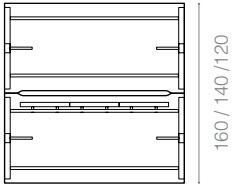
200 / 180 / 160 / 140 / 120 / 100 / 80



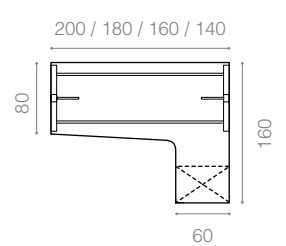
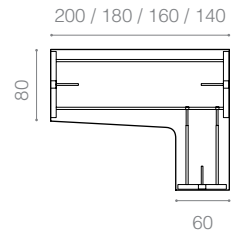
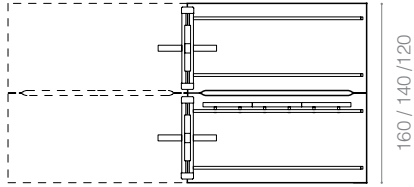
200 / 180 / 160 / 140 / 120 / 100 / 80



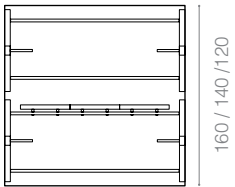
200 / 180 / 160 / 140 / 120



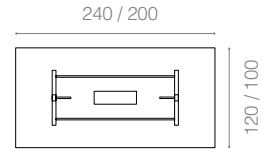
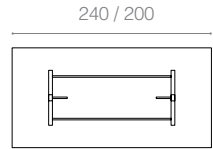
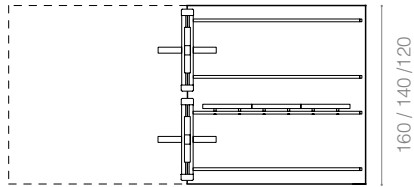
200 / 180 / 160 / 140 / 120



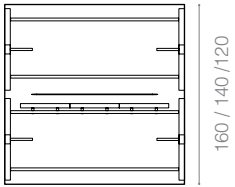
200 / 180 / 160 / 140 / 120



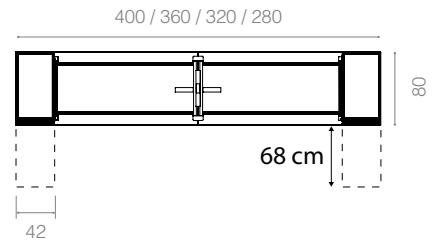
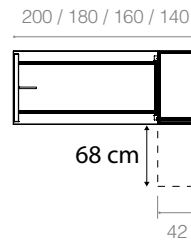
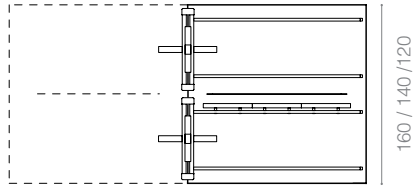
200 / 180 / 160 / 140 / 120



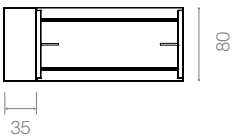
200 / 180 / 160 / 140 / 120



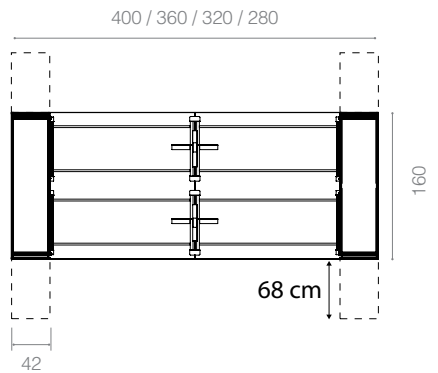
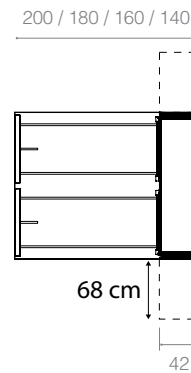
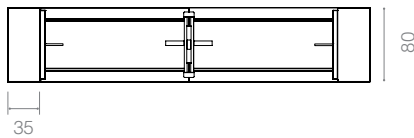
200 / 180 / 160 / 140 / 120



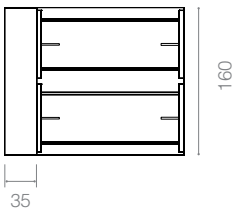
194,2 / 174,2 / 154,2 / 134,2



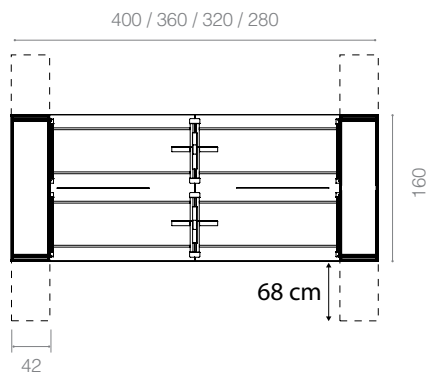
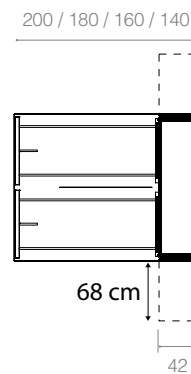
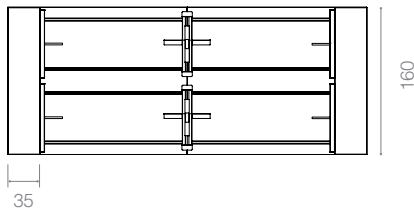
388,4 / 348,4 / 308,4 / 268,4



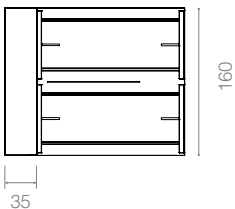
194,2 / 174,2 / 154,2 / 134,2



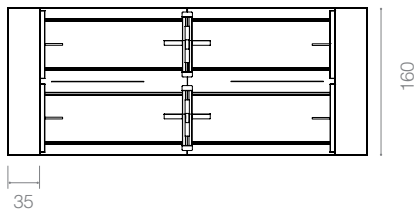
388,4 / 348,4 / 308,4 / 268,4



194,2 / 174,2 / 154,2 / 134,2



388,4 / 348,4 / 308,4 / 268,4



TWork is also compatible with the various solutions of the Operational Auxiliary Modules (MAO).

Pedestals



The TWork series is compatible with the different systems of both metallic and melamine JG drawers.

New storage options

TWork includes new storage solutions to optimise the work space. These new products enable a wide range of possibilities and combinations and have several features for customisation.

There are two main models: the suspended HS module and the WS module.

High Storage



The HS module enables front and lateral storage, taking full advantage of the depth of the unit and giving full access to the interior. The standard model includes a metallic drawer. Its melamine structure is equipped on the front to add a second metallic drawer for greater privacy. It features a metallic drawer measuring 30x34x32 cm for storing personal items, such as a motorcycle helmet or food. Only compatible with the HS suspended module. Greater privacy and easy storage.

Wing Storage



The WS module is moveable, extends 68 cm and can be locked with a key. Melamine structure with metallic drawer units and shelves (also with suspension filing frame), making it easy to classify items by size. The adjustable shelf height enables the module to be completely personalised.

Electrification

TWork power supply system

Enables running cables vertically up the power supply profile. Compatible with raised technical floors and conventional electrification. It has a maximum capacity for 3 \varnothing 10 mm power cables and 2 \varnothing 6 mm voice-data cables.



TWork conventional electrification system

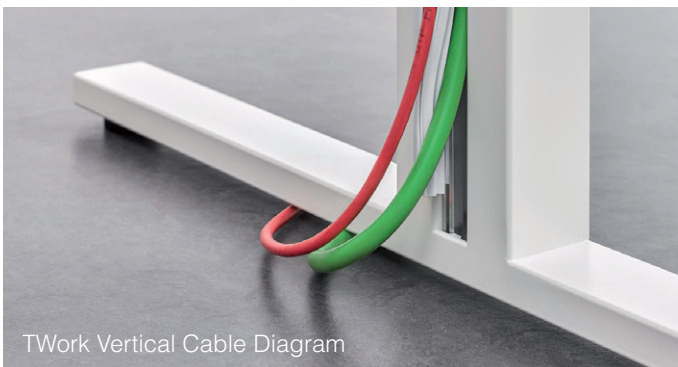
TWORK MIDDLE LEG WITH POWER SUPPLY

The cabling system of the middle leg of the TWork desk series is similar to the system used on the end leg of the series. It is also compatible with raised technical floors and conventional electrification. It has capacity for 6 \varnothing 10 mm power cables and 4 \varnothing 6 mm voice-data cables.



COMPATIBILITY WITH ADAPTA PLUS TABLE EXTENSIONS

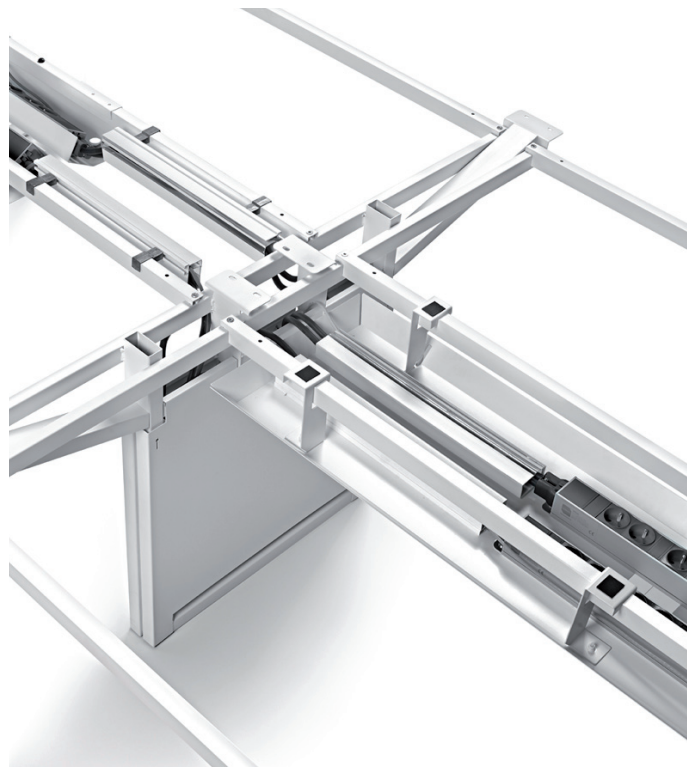
For greater cabling capacity, an extension kit is available with the Adapta Plus series panelling for a clean, consistent appearance. In addition, room for further cabling is added.



TWork Vertical Cable Diagram



Compatibility with technical floors



Access to wiring

Various solutions for accessing cabling: from the Top Access and grommet cover, available in various positions and sizes, and connection platform, which provide accessibility and greater useful surface area.

TOP ACCESS WORKSTATION

Made with 1.2 mm extruded aluminium measuring 320x100 mm. Latch closing mechanism and bristle edged grommet. Available in multiple positions and fully adjustable to user needs (view in price list).



TOP ACCESS MEETING TABLE

Made with 1.2 mm extruded aluminium measuring 454x124 mm. Available with dual opening for easy access from any position and dual bristle edged grommet. Available in central position (view in price list).



DP-TP GROMMET

Made with two easy to assemble ABS plastic injection pieces. The interior diameter measures 80 mm; the exterior dimensions measure 94x94 mm. It has a gap to pass cables through. Available in several positions (view in price list).



CONNECTION PLATFORM

The new connection platform allows access to wiring without losing useful working surface. It features a grey felt lined tray with the same dimensions above the table top for storing small items. Inside it can house the different POWER SOLUTIONS socket outlets, available in several combinations of two types: SHUCKO or UTE. (Only compatible with JG GROUP / POWER SOLUTIONS socket outlets. Not included, order separately).



Power supply to the desk “without machine processing”. It features a cut-out tab that, when folded, allows the cables to be introduced from the socket up the leg and under the table top. In this way the platform can be placed wherever the user wants.



Power supply to the desk “with machine processing”. To fully conceal the cable with a DP-TP grommet inserted in the table top. The platform features an overlapping gap on the underside.

Power supply trays

SINGLE

There are two models of individual trays, one of them measures 400x100 cm and the other is as long as the desk; both with 2 mm steel plated tilted at 148° for easy access to power sockets (voice-data) POWER SOLUTIONS.

They are especially indicated for the operational top access with measurements of 320x100 mm. They do not permit placement of front panels.



DOUBLE

Dual tray made with four-sided 1.2 mm steel plate tilted at 130° to prevent cables from disconnecting. This tray has rigid and flexible dual track PVC electrification channel for power and data cables and is machine processed for socket outlets. It features a tilting action hand opening operation for easy handling of socket outlets and cables.



Desktop screens and modesty panels

VERTICAL SEPARATION PANELS

Options include: melamine, methacrylate, wood and upholstered that offer several solutions for individual desks, benches and configured groups. They are assembled in the structure with an easy assembly system. Also available with metal supports, no installation required.

MODESTY PANELS

Options: Melamine, methacrylate, metal and varnished natural wood veneer. They are assembled into the frame with easy mounting systems.

Accessories



PEN HOLDER

Metallic, measuring 10x8 cm and 9 cm high, for storing pens and pencils. It features a grey felt base.

BOOK TRAY

Metallic tray available in two sizes: 60x24x13 cm or 80x24x13 cm, compatible with S2 acoustic panels and melamine panels.

STORAGE TRAY

Metallic tray compatible with S2 acoustic panels and melamine panels. It features a grey felt base. Designed with a short lip to guarantee better storage.



HIGH STORAGE LOWER DRAWER MODULE (OPTIONAL)

It features a metallic drawer measuring 30x34x32 cm for storing personal items, such as a motorcycle helmet or food. Only compatible with the HS suspended module. Greater privacy and easy storage.

Techline accessories

TWork includes a profile available in 5 finishes, in which various accessories can be attached to hold mobile elements we carry for day-to-day activities.

MAGAZINE RACK

For organising all kinds of documents, leaving usable space on the desk.



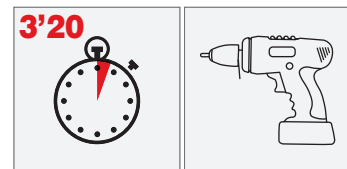
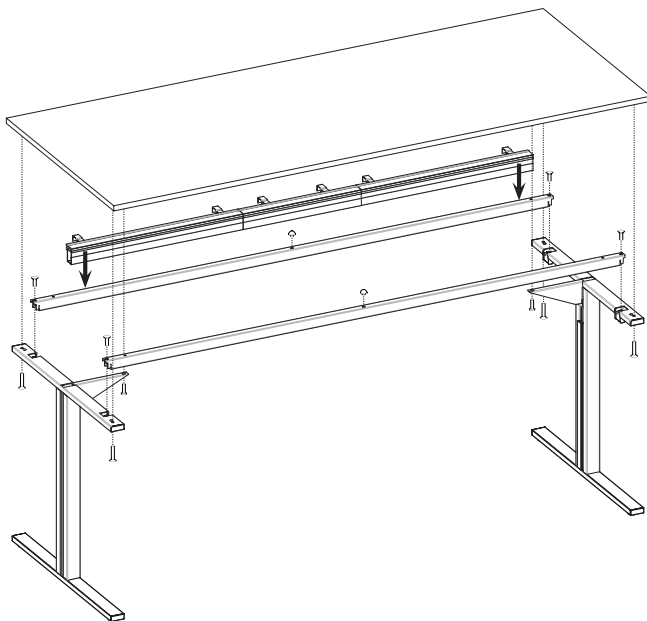
SHELF

Height adjustable, for storing bags or suitcases.



Desk assembly

All desks have centring plates in the legs to help with assembly of the desktop and all accessories are mounted on the beams. Only one assembly spanner is needed for the entire assembly. This series is designed to be assembled using automatic screwdrivers.



PACKAGING

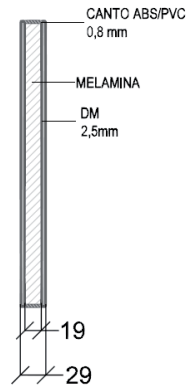
Consists of two cardboard covers, one above and one below, and 4 reinforced cardboard profiles to protect the sides. The latter have die-cuts so the product can be slid along without damaging the cardboard. The unit is covered in 30 or 35 micron shrink wrap plastic.

Acoustic panels

DUO

Acoustic screen manufactured in 19 mm melamine on high density with a sheet of 2.5 mm medium density fibreboard (MDF) on each surface, and upholstery with a felt of 0.8mm. The fabric and the surface finish is a blend of 40% wool and 60% viscose.

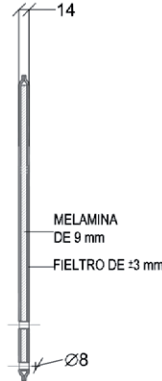
- Specific weight: 250 g/m.l
- Tissue density: 173,6 kg/m3



SLIM

Acoustic screen manufactured in 9 mm melamine on high density, and upholstery with a felt of 3mm, 100% PES.

- Specific weight: 500 g/m.l
- Tissue density: 166,7 kg/m3



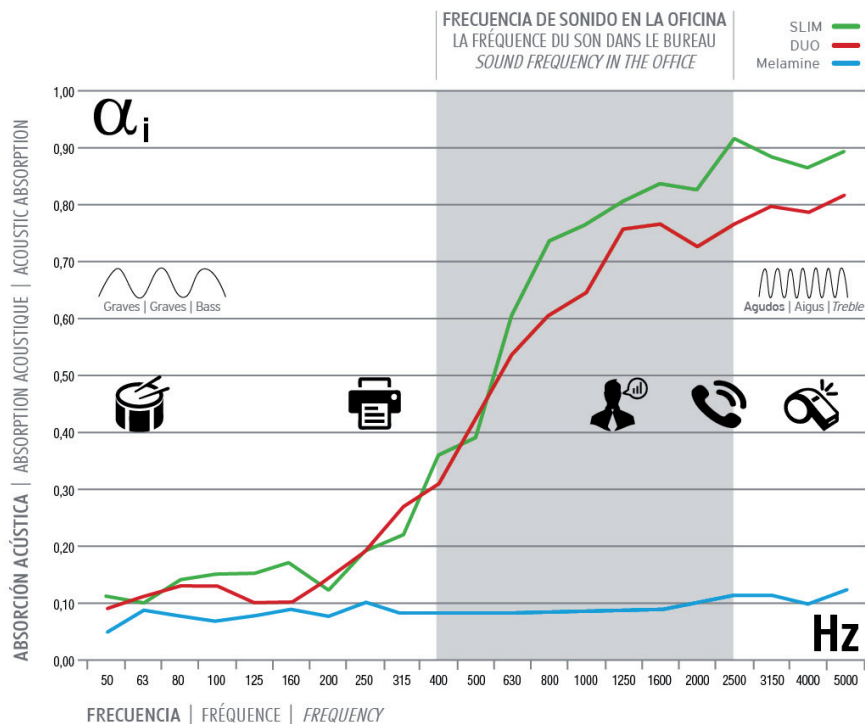
LESS THAN 50 DECIBELS

Study to determine the acoustic absorption values for Duo and Slim panels in an empty room fitted with them, according to regulation ISO 354.

The Duo and Slim acoustic panel range noticeably helps reduce background noise levels and reverberation time in the space, making conversations more intelligible.

Panel Panneau Screen	Sala vacía Pièce vide Empty room	Melamina Mélamine Melamine	DUO	SLIM
RT60 (s)	1,35	1,31	1,15	1,00
ΔL (dB)	---	-0,1	-1,0	-1,5

Estudio realizado con Sonómetro



	FREQUENCY	Hz	50	63	80	100	125	160	200	250	315	400	500	630	800	1000	1250	1600	2000	2500	3150	4000	5000
α _i	DUO	1/3	0,09	0,11	0,13	0,13	0,10	0,10	0,14	0,19	0,27	0,31	0,42	0,54	0,61	0,65	0,76	0,77	0,73	0,77	0,80	0,79	0,82
α _i	SLIM	1/3	0,11	0,10	0,14	0,15	0,15	0,17	0,12	0,19	0,22	0,36	0,39	0,61	0,74	0,77	0,81	0,84	0,83	0,92	0,89	0,87	0,90

Maintenance, Quality and Ecology

Our company has the quality certification ISO 9001 and TECNALIA for years, institution that verifies and standardizes raw material and compliance with European norms applicable to office furniture.

Regarding to environmental policy, our company has implemented and certified all the measures contained in the ISO 14001 and ISO 14006, and also supplies by demand the forest certification of chain of custody for PEFC and FSC® systems, ensuring that the wood used comes from sustainable forest management. Compliance with these standards facilitates obtaining LEED points with our products.

If some dirt is rather difficult to remove, use the same microfiber cloth or a 100% cotton one slightly moist with water and a little neutral soap or window-cleaning fluid (except natural wood). Then, dry the furniture with another soft, dry cloth. All the products that contain ammonia, caustic or solvent products are not recommended at all.

The cleaning products made specifically for furniture usually contain substances like wax to enhance the shine of natural wood surfaces that has been damaged by use and are timeworn, but such substances can give the furniture a greasy look and cause irreversible effects on it. Therefore these are also not recommended.



TRANSPORT

We minimise the impact of transport and packaging on the environment.



MATERIALS

Recycled materials and secondary metals.



RECYCLABLE

The components in our furniture are easy to separate out and recycle.



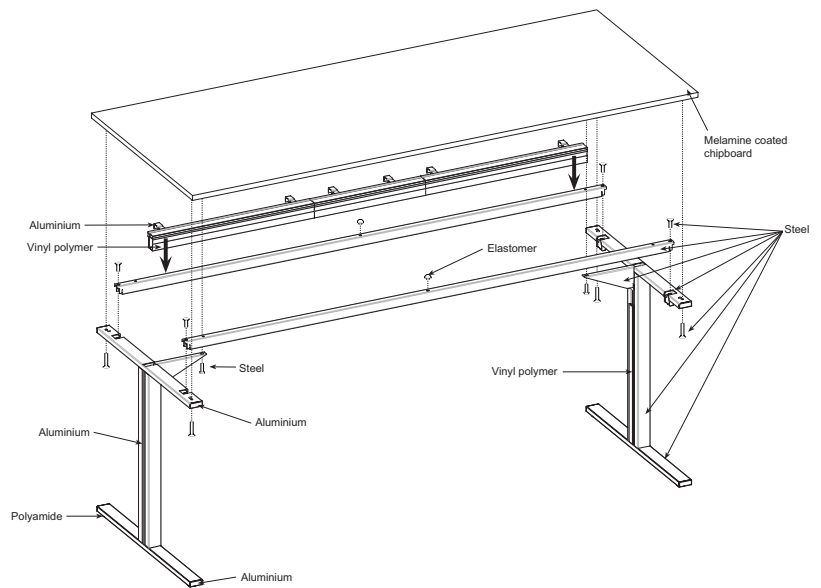
USE

Our products are ergonomic and safe for users.



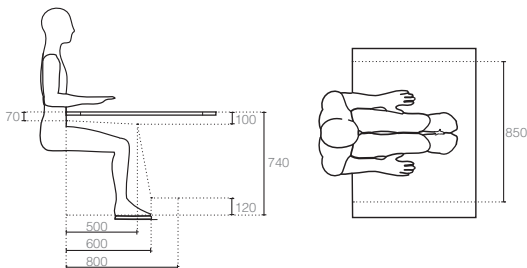
PRODUCTION

Production processes that are environmentally friendly.



MATERIAL	RECYCLAGE
Steel	Very good
Melamine coated chipboard	Good
Aluminium	Very good
Elastomer	Good
Polyamide	Good
Vinyl polymer	Good

Regulations



DESKS

UNE-EN 527-1:2011
UNE-EN 527-2:2003
UNE-EN 527-3:2003

MATERIALS

Materials: Technical specifications prescribed by TECNALIA.

