

FRAMES

Technical Specifications

A locker for all.

A universal cabinet that helps teamwork and democratises space. A locker that encourages order and adapts to the trends of a flexible and nomadic work. An essential product for any activity.

Frames is based on a modular system, with a high compositional capacity for all kinds of projects. It offers a new insight into storage, a more transversal look providing everyone with their own space.

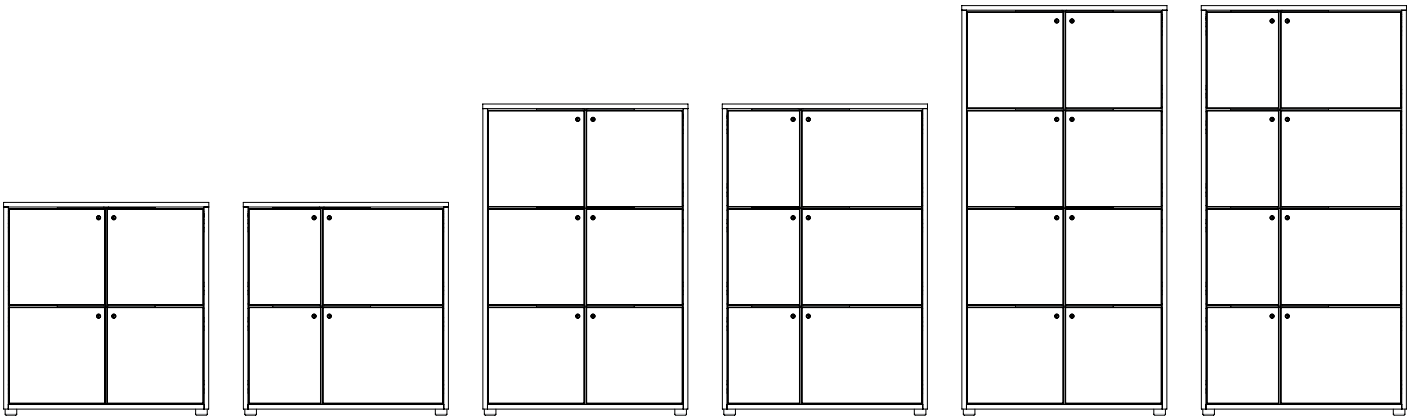


It is available in three heights, and it inherits the main features of the 60/40 family – aluminium handles, acoustic exterior-mounted rear panels, symmetric and asymmetric doors to provide three capacities, a marked perimeter, joints with relief and use of a grid that generates a modular pattern. A useful product with a front-office look.

Types

Melamine

Melamine lockers with 3 different heights and two kinds of door for a total of six possible combinations:



Structure

Material

The structure is composed of 19mm melamine over high-density fibreboard (600kg/m³) with 2mm ABS / PVC edge-banding. Available in White 9003 (B3) and Titanium (TI).

Base

48mm-diameter plastic levellers adjustable from the inside by Allen key. Load capacity of 70kg per leveller.

Doors

Material

19mm melamine over high-density fibreboard (600kg/m³) with 2mm ABS / PVC edge-banding. Available in White 9003 (B3) and Titanium (TI).

Types

There are 2 types of door:

-Classic swing doors available for the 3 heights of the FRAMES series.

-Asymmetric swing doors divided 60/40 available for the 3 heights of the FRAMES series.

Hinges

Adjustable hinges with a REDDOT-winning contemporary design. The damping is concealed and built into the hinge. This innovation meets the most demanding standards of convenience and practicality. The doors close with a slight movement of the wrist - smoothly and silently thanks to its self-closing capability from 35°. Mounted without using tools.

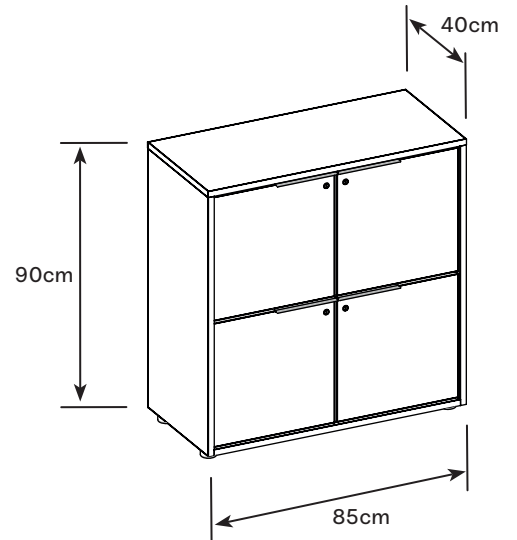
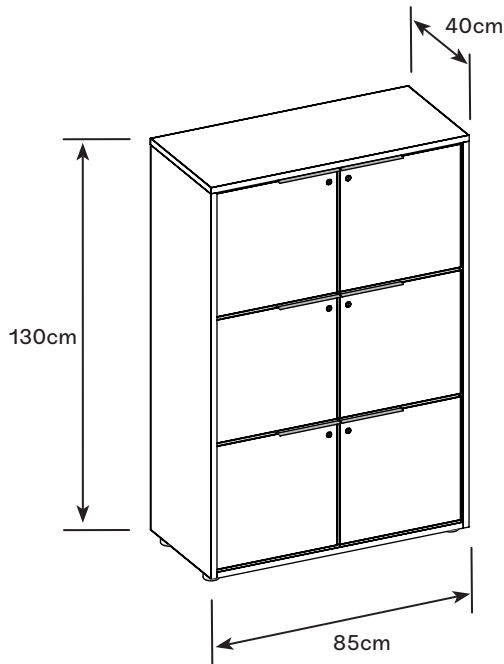
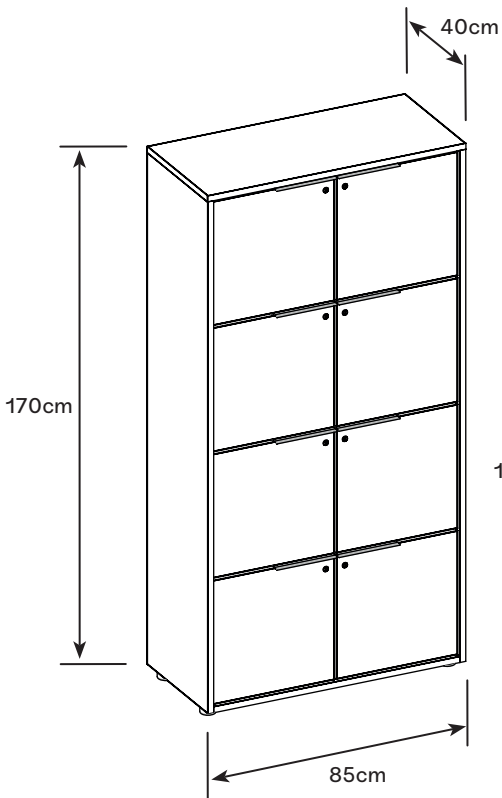
Lock

The lock and security shield are finished in aluminium.

A lock is included on all doors that comprise the various locker combinations.



Dimensions



Handles and key

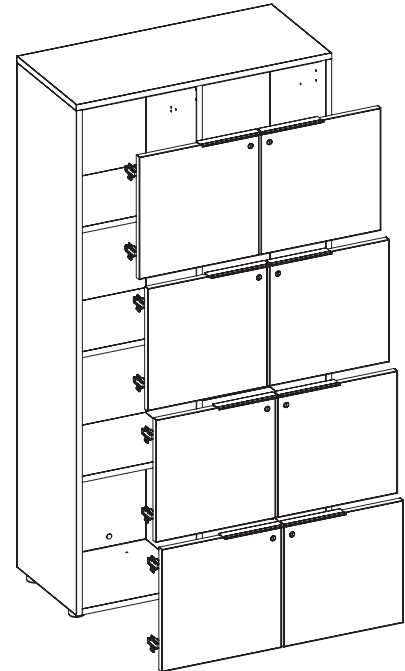
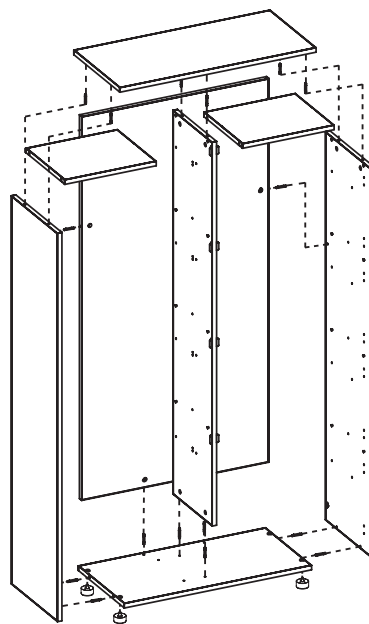
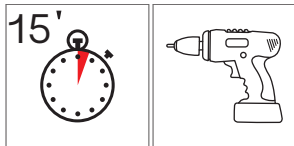
In-house design handles manufactured in extruded aluminium. The outstanding purity and elegance of their lines provides harmony in combination with the unit. Available in 2 finishes: anodized aluminium (AN) and white (B3).

Introducing a new concept of folding key in transparent, compact, design-friendly plastic that always blends perfectly with the unit. The key features an engraving of the JG logo.



Assembly

These lockers come pre-assembled to reduce installation time. We estimate roughly 15 minutes per locker once unpacked depending on the model. The levellers are easily and accurately adjusted from above by Allen key.



Packaging

The packaging consists of several reinforced profiles specially designed to reduce the use of cardboard and to protect the product during transport and handling. The pack is wrapped in 30 or 35 micron gauge plastic.

Accessories

Steel shelves

- The steel shelves make ideal horizontal dividers to organise the contents.
- Made of 1,2 mm-thick steel with a customised textured finish.
- Available in 3 sizes, all compatible with both the symmetrical and asymmetrical doors.
- These steel shelves have a load capacity of 15kg.

Lock box

Made of 1,2mm-thick steel plate, it is perfect to store small items of value inside the locker. Compatible with all the doors.



Clothes rack set

- The ideal wardrobe to hang long clothes such as jackets and raincoats. Smaller objects such as hats, helmets or books can be stored on the top shelf.
- The assembly is completed with a lower storage shelf with a customised textured design to hold bags, backpacks, file folders or shoes.
- Only compatible with the wardrobe in 4 heights (1,70m).
- The capacity of the clothes rack is 25kg. It is not made to support the weight of a person.
- The lower shelf has a load capacity of 25kg. It is not made to sit or stand on.

Hanger

Made of 1,2mm-thick steel plate, this is the ideal accessory to hang clothes or other objects such as skateboards. The capacity of the hanger is 10kg.

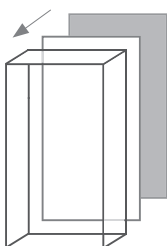
Outside acoustic rear side

Composed of a MD board + textile cover. The upholstery can be of three types: S1 (SLIM) and S2 (DUO, ERA). Fixed to the surface with Velcro, which means that the accessory can be added at any time.

Thickness according to upholstery: S1 8,5mm; S2 7,5mm.

POSITION

BEHIND the melamine rear of the cabinet so that the acoustic rear is visible from the **OUTSIDE** of the same.



Maintenance, Quality and Ecology

Our company has the quality certification **ISO 9001** and **TECNALIA** for years, institution that verifies and standardizes raw material and compliance with European norms applicable to office furniture.

Regarding to environmental policy, our company has implemented and certified all the measures contained in the **ISO 14001** and **ISO 14006**. Compliance with these standards facilitates obtaining **LEED** points with our products.

The most suitable for cleaning our furniture is the use of a clean microfiber cloth, slightly moistened with water, without any additional cleaning products. If some dirt is rather difficult to remove, use the same microfiber cloth or a 100% cotton one slightly moist with water and a little neutral soap or window-cleaning fluid (except natural wood). Then, dry the furniture with another soft, dry cloth.

All the products that contain ammonia, caustic or solvent products are not recommended at all. The cleaning products made specifically for furniture usually contain substances like wax to enhance the shine of natural wood surfaces that has been damaged by use and are timeworn, but such substances can give the furniture a greasy look and cause irreversible effects on it. Therefore these are also not recommended.



Recyclable

The components in our furniture are easy to separate out and recycle.



Production

Production processes that are environmentally friendly.



Use

Our products are ergonomic and safe for users.



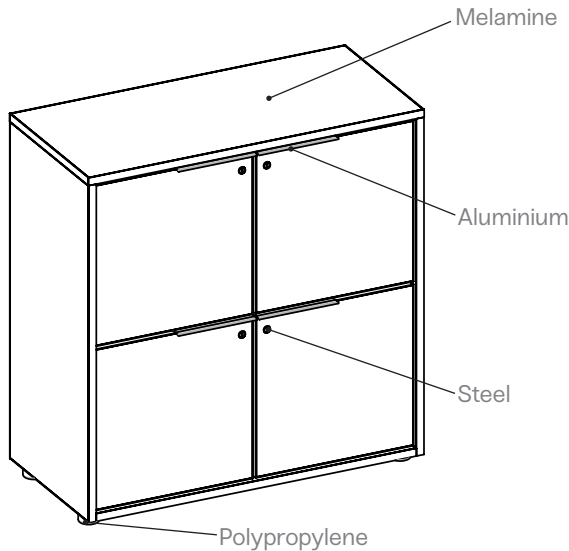
Transport

We minimise the impact of transport and packaging on the environment.



Materials

Recycled materials and secondary metals.



MATERIAL	RECYCLED RAW MATERIAL (%)	END-OF-LIFE RECYCLABILITY (%)
Melamine	30%	100%
Steel (acc.)	20-30%	100%
Polypropylene	0%	100%
Aluminium	39%	100%



Certified company in management system, quality and environment by:



Sistema de Gestión
 ISO 9001:2015
 ISO 14001:2015
 ISO 14006:2011
 www.tuv.com
 ID 1100008125