

MODUL

Technical specifications

Imagine and create your spaces.

A series whose main feature is its modularity, being very versatile to meet the different needs that arise in offices.

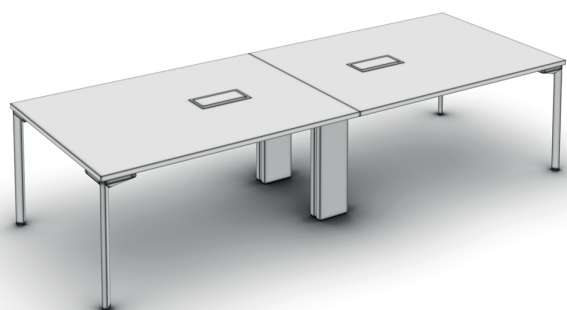
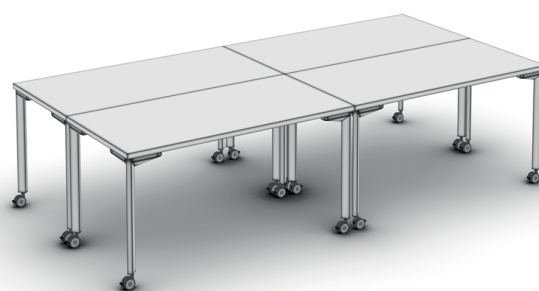
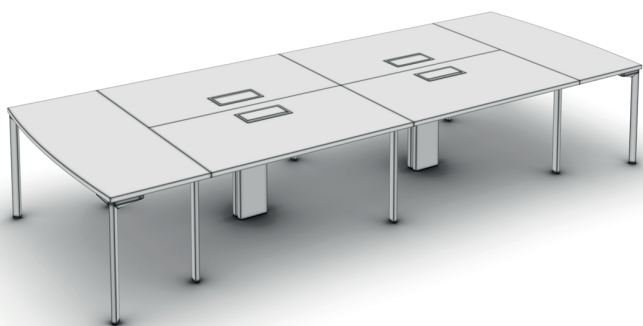
Operational workstations, whether individual or collective, multi-purpose meeting or training rooms, call-centres, etc.



Type of tables / Modular tables

The Modular section covers all needs for training areas or meetings. Modul offers the right flexibility and mobility of the tables on wheels.

The polyvalent space in open areas requires a huge modularity and possibilities in combination with measures and shapes. Modul achieves that perfectly.



Structure

Coating

Epoxy powder paint with 80 preliminary phosphate antioxidant microns, guaranteed 200 hours salt spray capability.

Specifications:

- Resistance to household chemicals: UNE 48027:1980 5 (24H), 4 (72H).
- Resistance to mechanical damage: UNE-EN ISO 2409:2007 Classification:0.
- Falling weight: UNE-EN ISO 6272-1:2004, a 500 mm without cracking.
- Resistance to humidity: UNE-EN ISO 6270-1:2002 without alteration.
- Accelerated ageing: UNE EN ISO 11507:2007 24H dulling <25%.

Legs

Steel tube leg laminate in cold 50x30 mm and 1,5 mm. thick.

Union bracket table made of laminate in cold 2 mm. 2 lateral reinforcements made of laminate in cold 5 mm and 1 central reinforcement made of laminate in cold 1.5mm.
ABS decoration.

Leg on wheel

Steel tube leg laminate in cold 50x30 mm and 1,5 mm. thick. Union bracket table made of laminate in cold 2 mm. 2 lateral reinforcements made of laminate in cold 5 mm and 1 central reinforcement made of laminate in cold 1.5mm. ABS Decoration.
Wheel diameter: 60 mm



Desktops

Material

30 mm melamine over high density chipboard (600 Kg/m³) and sides made from 2 mm ABS / PVC.

Accessories

Joining kit

This collection has been designed with the idea of joining tables to create, for example, collaborative work spaces. The 2Move series table joining kits (1105-B-K2UNME-SA2) can be used for this.

* System of side joining desks. (Optional)



Electrification

Wiring beams

1.2 mm cold rolled sheet metal, coated with epoxy powder paint with preliminary phosphate antioxidant treatment.

DP-TP

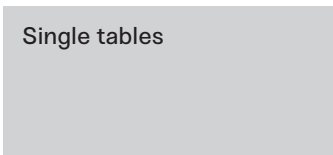


Location for pvc porthole

Top-Access

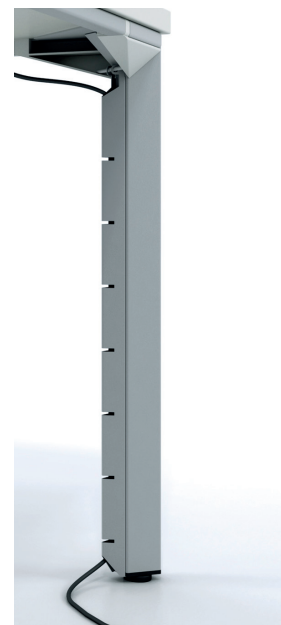
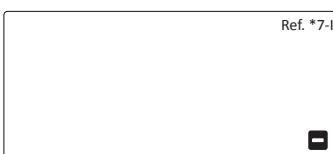
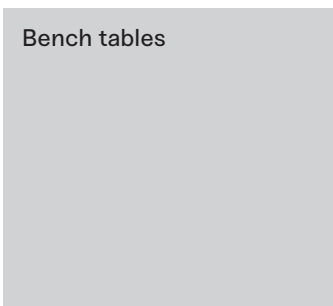


Location for metal Top Access



Electrification leg

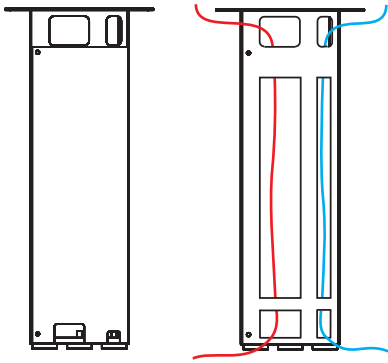
Vertical wire management available in three colours.



Electrification

Column

Cable management column with internal data-voice and voltage separation.



Modesty panels and desktop screens

Modesty panels

Melamine, metal or plexiglass. Easy assembly system.



Desktop screens

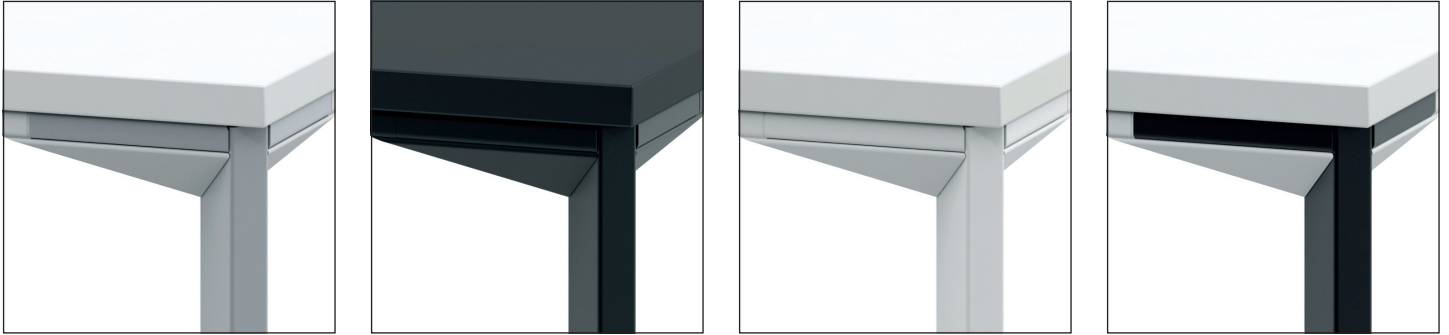
Melamine or plexiglass. Easy assembly system. Different solutions for single and bench tables.



Customize

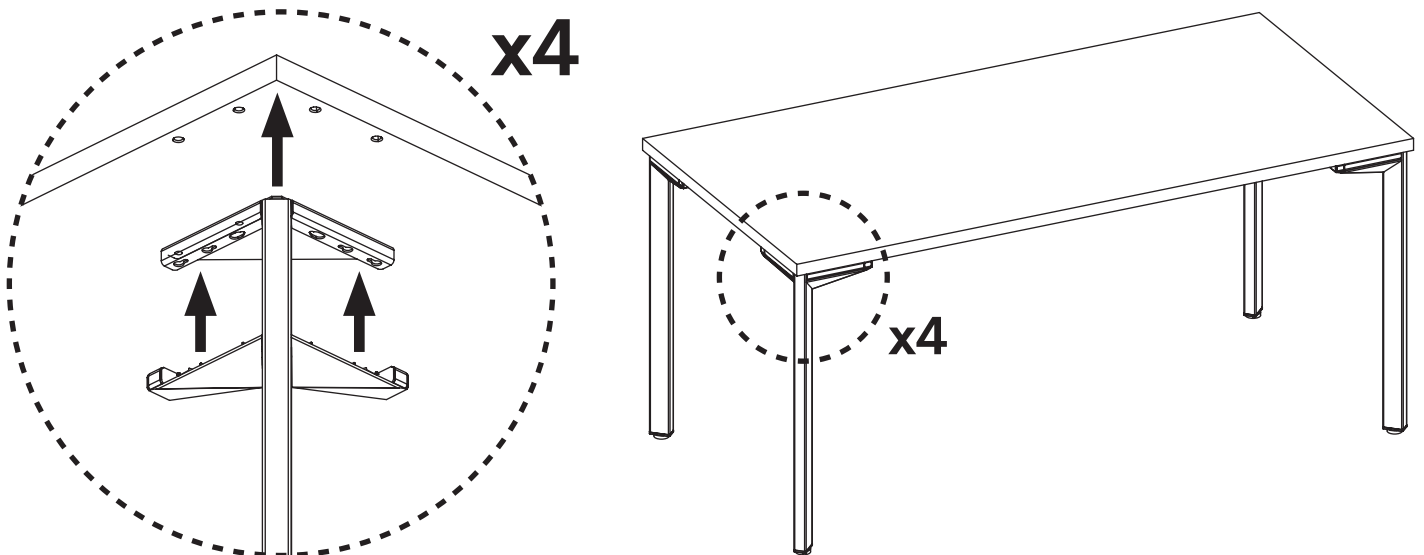
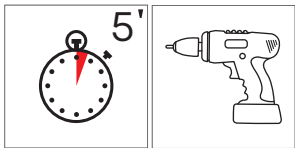
Trim

The design of range Modul includes trims for the upper part of the leg. These items offer multiple possibilities in colours which enables the integration of the desk in the office environment.



Assembly

The table is delivered unassembled to save transport space. To assemble it, simply place the legs in position and fix them to the table top. Finally attach the trims.



Packaging

Delivered in sets of legs, in cardboard packaging to facilitate handling, and with interior protection made of expanded polystyrene profiles (EPS) and polyethylene foam. Each leg comes with the end caps already assembled. The envelopes are protected with a 30 or 35 micron heat-shrinkable plastic gauge and protective corner protectors.

Maintenance, Quality and Ecology

Our company has the quality certification **ISO 9001** and **TECNALIA** for years, institution that verifies and standardizes raw material and compliance with European norms applicable to office furniture.

Regarding to environmental policy, our company has implemented and certified all the measures contained in the **ISO 14001** and **ISO 14006**. Compliance with these standards facilitates obtaining **LEED** points with our products.

The most suitable for cleaning our furniture is the use of a clean microfiber cloth, slightly moistened with water, without any additional cleaning products. If some dirt is rather difficult to remove, use the same microfiber cloth or a 100% cotton one slightly moist with water and a little neutral soap or window-cleaning fluid (except natural wood). Then, dry the furniture with another soft, dry cloth.

All the products that contain ammonia, caustic or solvent products are not recommended at all. The cleaning products made specifically for furniture usually contain substances like wax to enhance the shine of natural wood surfaces that has been damaged by use and are timeworn, but such substances can give the furniture a greasy look and cause irreversible effects on it. Therefore these are also not recommended.



Recyclable

The components in our furniture are easy to separate out and recycle.



Use

Our products are ergonomic and safe for users.



Materials

Recycled materials and secondary metals.



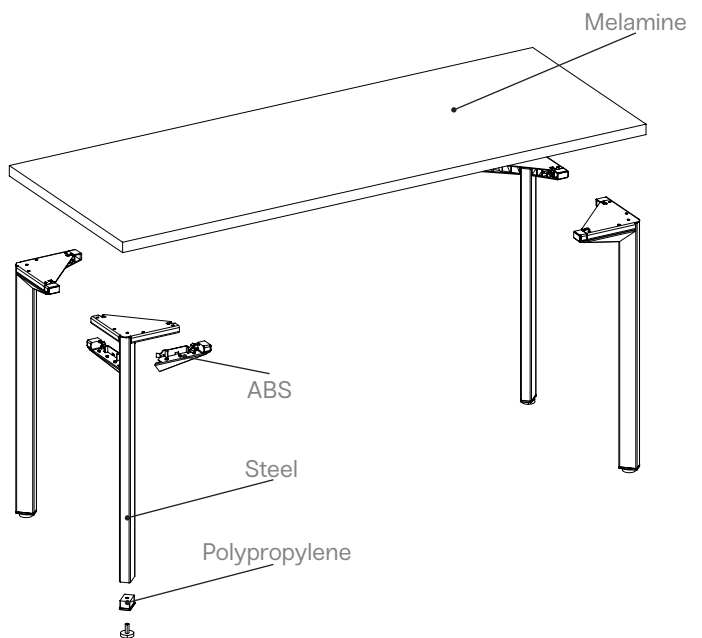
Production

Production processes that are environmentally friendly.



Transport

We minimise the impact of transport and packaging on the environment.



MATERIAL	RECYCLED RAW MATERIAL (%)	END-OF-LIFE RECYCLABILITY (%)
Melamine	30%	100%
Steel	20-30%	100%
Polypropylene	0%	100%
ABS	0%	100%



Certified company in management system, quality and environment by:



Sistema de Gestión
 ISO 9001:2015
 ISO 14001:2015
 ISO 14006:2011
 www.tuv.com
 ID 1100008125