

Q B U C

TECHNICAL DATA

Range of metal pedestals for office, home and group settings. Three configurations: three drawers, drawer and filing drawer, or a single "personal" drawer. All options are available in two widths: 42cm and 30cm. They come with an embedded or external handle and in a wide choice of colours.



Technical data | Framework

FRAMEWORK

0.8mm cold-rolled sheet mono-block, with internal reinforcements and wheels or levellers.

GUIDES

Options: 80% extension galvanised telescopic slides. Full extension telescopic slides. Drawer block anti-tilt mechanism. Final stopper.

LOCKS

Integrated lock with one knocking hinged key and one standard key. Locking on all drawers.

COATING

80 micron epoxy powder paint over phosphate antioxidant.

PACKAGING

Cardboard box with specially designed dies that enable the product to be manipulated during sliding without wearing down. The set is covered with 30 or 35 micron plastic.

RECYCLABILITY

All furniture parts and packaging are easily separable, with a high or very high recyclability. Plastic parts over 50 g weight are marked for their identification, according to European standards on this matter.

Technical data | Fronts

FRONT

0.8mm steel sheet painted in the same colour as the structure or 19mm melamine top.

HANDLES

Embedded or with handle, compatible with all furniture ranges. In ABS or metal alloys depending on the model.

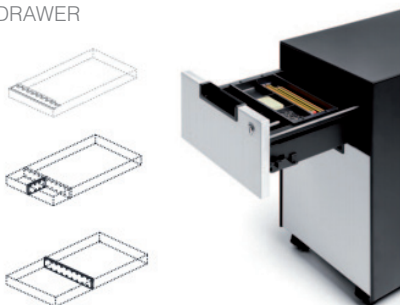
Handles: external or integrated.

Fronts: laminate, metal or wood.

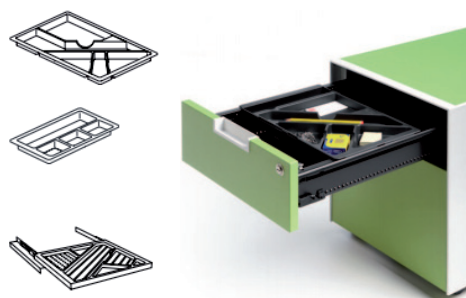


Accessories | Personalization

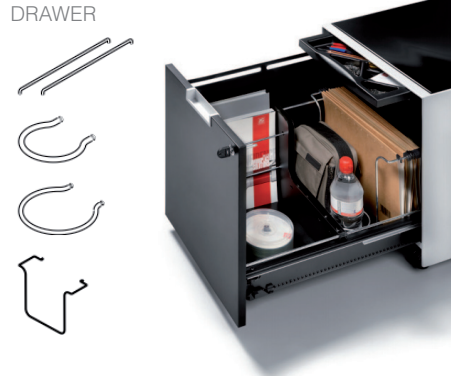
DIVIDER ACCESSORIES SIMPLE DRAWER



PENCIL TRAYS



ACCESSORIES PERSONAL DRAWER



MAINTENANCE, QUALITY AND **ECOLOGY**

Our company has the quality certification ISO 9001 and TECNALIA for years, institution that verifies and standardizes raw material and compliance with European norms applicable to office furniture.

Regarding to environmental policy, our company has implemented and certified all the measures contained in the ISO 14001 and ISO 14006, and also supplies by demand the forest certification of chain of custody for PEFC and FSC systems, ensuring that the wood used comes from sustainable forest management. Compliance with these standards facilitates obtaining LEED points with our products.

The most appropriate method to clean our furniture is to use a clean microfiber cloth, slightly moist with water, without any additional cleaning products. If some dirt is rather difficult to remove, use the same microfiber cloth or a 100% cotton one slightly moist with water and a little neutral soap or window-cleaning fluid (except natural wood). Then, dry the furniture with another soft, dry cloth. All the products that contain ammonia, caustic or solvent products are not recommended at all.

The cleaning products made specifically for furniture usually contain substances like wax to enhance the shine of natural wood surfaces that has been damaged by use and are timeworn, but such substances can give the furniture a greasy look and cause irreversible effects on it. Therefore these are also not recommended.



RECYCLABLE

The components in our furniture are easy to separate out and recycle.



USE

Our products are ergonomic and safe for users.



PRODUCTION

Production processes that are environmentally friendly.



TRANSPORT

We minimise the impact of transport and packaging on the environment.



MATERIALS

Recycled materials and secondary metals.



MATERIAL	RECYCLING
ABS	Very good
Melamine	Good
Sheet steel	Very good
Polypropylene	Good

Regulations

- Bucs:
- UNE-EN 14073-2:2005
 - UNE-EN 14073-3:2005
 - UNE-EN 14074:2005

- Materials:
- Materials: Technical guidelines set by TECNALIA.

