

YSOS

TECHNICAL DATA

Ysos is a complete solution for the office, home and contract spaces.

Its unique angled legs and rounded tabletop corners stylise its shape and improve its ergonomics.



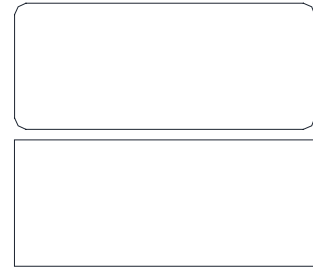
Desktops

MELAMINE

The structure is composed of 19mm melamine over high-density fibreboard (600kg/m³) with 2mm ABS / PVC edge-banding. Available in JG Group's full range of melamines.

EDGES

2mm PVC or ABS. Tops with straight shapes or with rounded edges.



Structure

MATERIAL

Metal frame. Designed following the standards: EN 527-1:2000 for dimensions. Quality E220 rule UNE 10305-5

BEAMS

1 60x40x1,5 mm tube centred at the table top.

COATING

Epoxy powder paint with 80 preliminary phosphate antioxidant microns, guaranteeing salt spray capability of 200 hours.

Specifications:

- Resistance to household chemicals: UNE 48027:1980 5 (24H), 4 (72H).
- Resistance to mechanical damage: UNE-EN ISO 2409:2007 Classification:0.
- Falling weight: UNE-EN ISO 6272-1:2004, a 500 mm without cracking.
- Resistance to humidity: UNE-EN ISO 6270-1:2002 without alteration.
- Accelerated ageing: UNE EN ISO 11507:2007 24H dulling <25%.



Legs and beams typology

YSOS

Legs made with a vertical tube of 60x30x1.5 mm and a horizontal one of 60x40x1.5 welded together. The union of the feet is with a 50x20x1.5 reinforcement tube that makes up the leg. PP levelers with 15 mm leveling.

The table is made up of 4 legs and a central beam that is attached to them and has openings for the passage of cables.

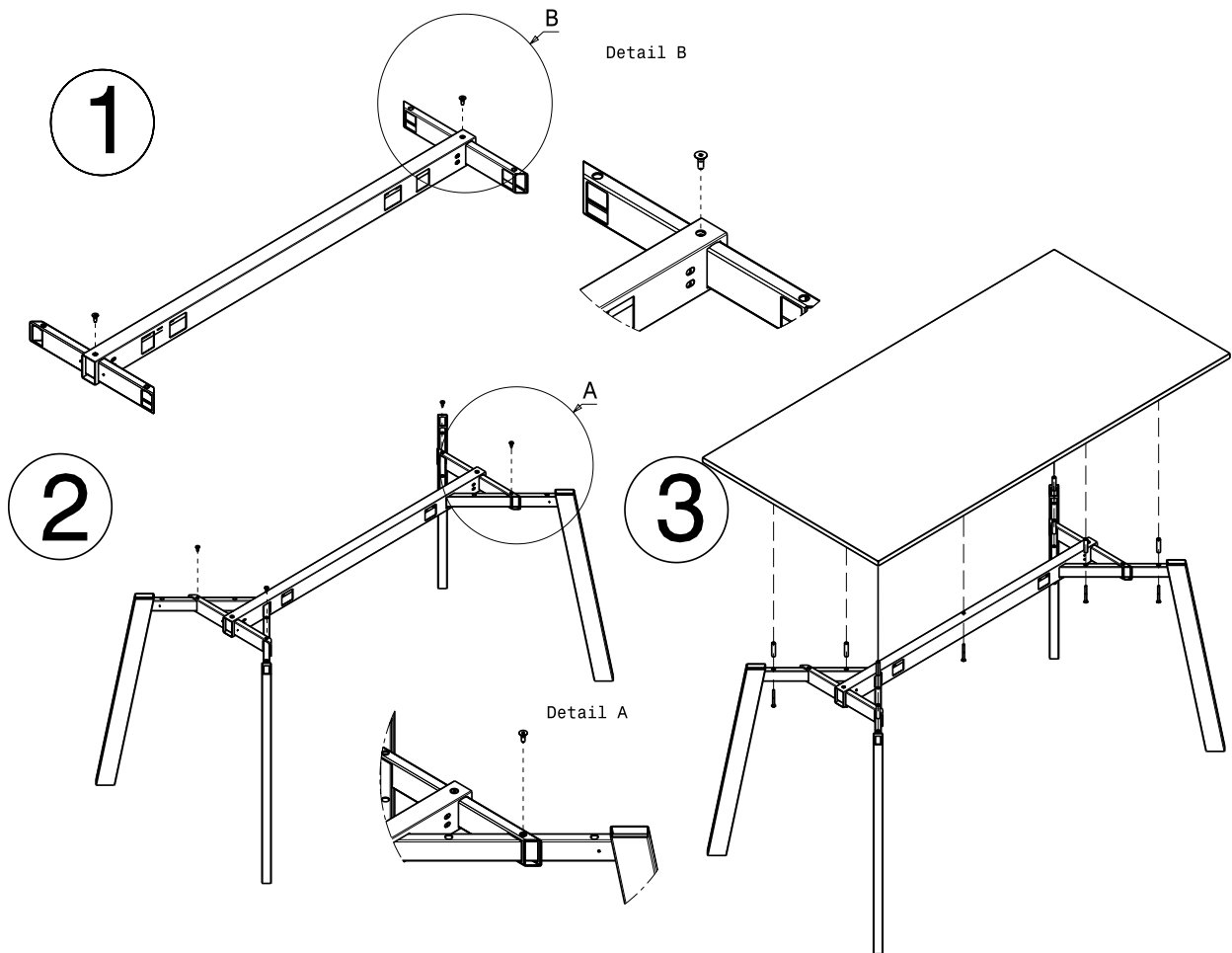
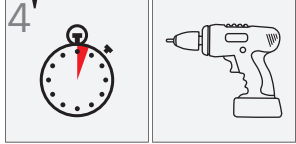
YSOS MEETING TABLE/BENCH

The same as the legs of the individual Ysos but with two beams, one centered in each half of the total table with reinforcements centered in the total table.



Desk assembly

First the beam is assembled with the reinforcements and then the legs on it, all the tables have to be fitted with two spacers on each leg to fix the tops. The assembly key is unique for the entire assembly. This series is designed to be assembled with automatic screwdrivers.



PACKAGING

It is served in four packages.

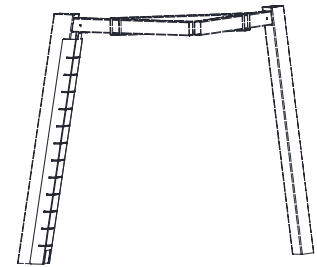
Storage accessory

Not compatible with BackPack (TCB-BPACK5, TCB-BPACK4, TCF-BPACK2, TCF-BPACK3).

Cable management and wiring access covers

ELECTRIC ACCESS WIRING TOWER

Made of 1mm steel. It can be used on normal and raised flooring, this system is mounted on the middle legs of the Bench desks and shaped desk sets. Manual flip-top access not requiring tools.

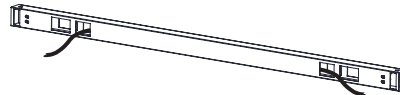


CABLE RISERS FOR END LEGS

Vertical wiring access with catch to prevent cables moving when the desks are moved.

ELECTRIFICATION BEAMS

Openings in beams for the passage of cables.



Different drilled positions available for front (3 positions) and side (2 positions), exclusively for desks 80 cm or more wide) top access. Also available in 2 positions for wiring access covers. Drilled meeting tables top acces with central position.

OPERATIONAL TOP ACCESS

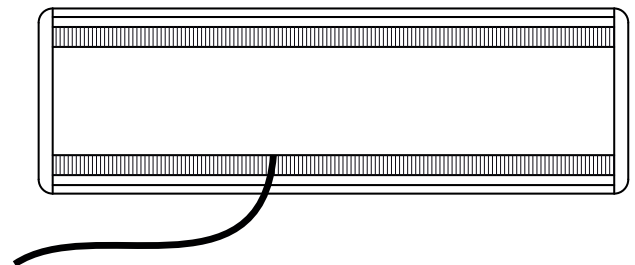
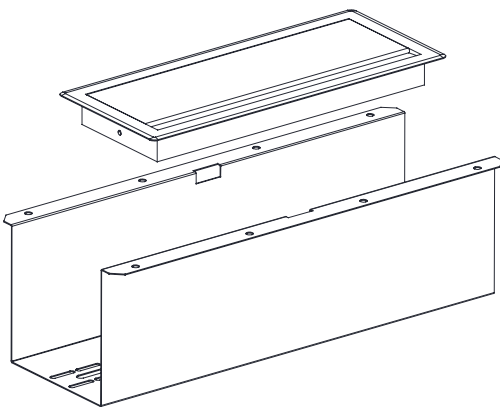
Made from 1,2 mm thick aluminium extrusion and measuring 300 x 127 mm. Soft closing and brush for wires.

MEETING TABLE TOP ACCESS

Made from 1,2 mm thick aluminium extrusion and measuring 420 x 130 mm and twin opening to provide access from any position and double wiring access brush.

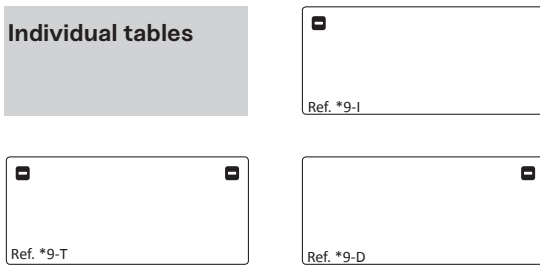
TOP ACCES TRAY

Electrification in 0.8mm steel sheet with total measurements 400x160x120mm and an internal capacity of 400x118x119mm

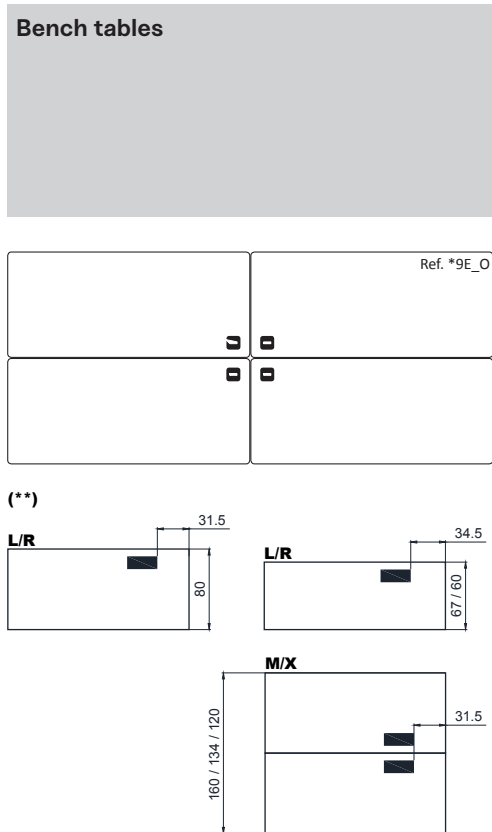


Porthole positions

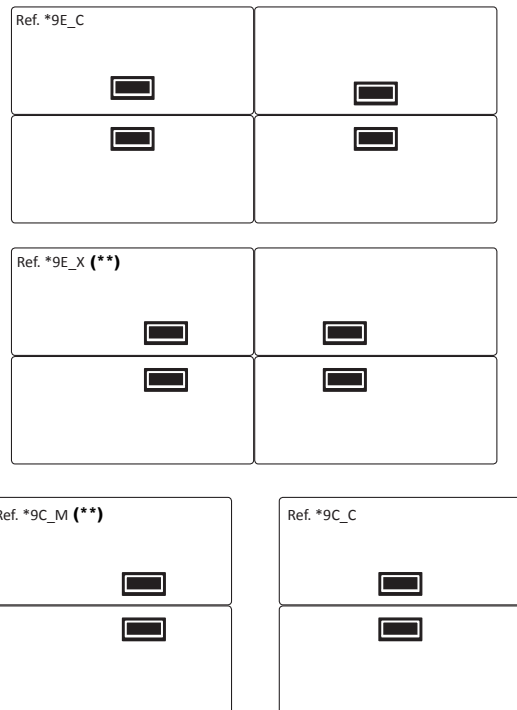
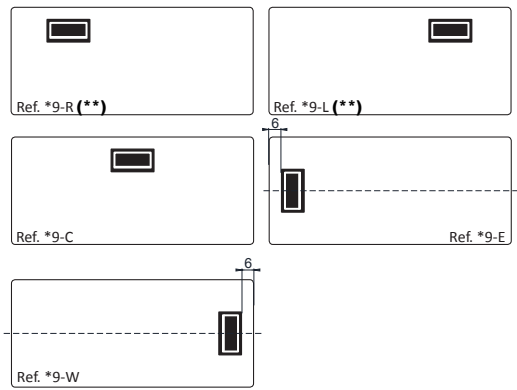
Individual tables



Bench tables



Top access positions



Modesty panels and desktop screens

MODESTY PANELS

Options: Melamine the same color as the top. They are assembled into the top with easy mounting systems.



DESKTOP SCREENS

In melamine or methacrylate, a range of solutions for individual, bench or group shaped desks. They are assembled into the top with easy mounting systems.

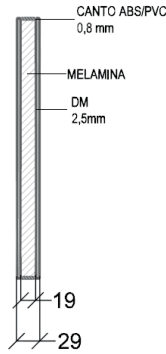


Paneles acústicos

DUO

Acoustic screen manufactured in 19 mm melamine on high density with a sheet of 2.5 mm medium density fibreboard (MDF) on each surface, and upholstery with a felt of 0.8mm. The fabric and the surface finish is a blend of 40% wool and 60% viscose.

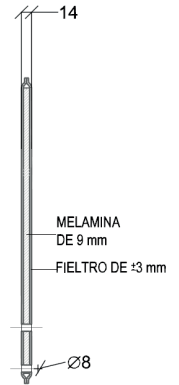
- Specific weight: 250 g/m.l
- Tissue density: 173,6 kg/m³



SLIM

Acoustic screen manufactured in 9 mm melamine on high density, and upholstery with a felt of 3mm, 100% PES.

- Specific weight: 500 g/m.l
- Tissue density: 166,7 kg/m³



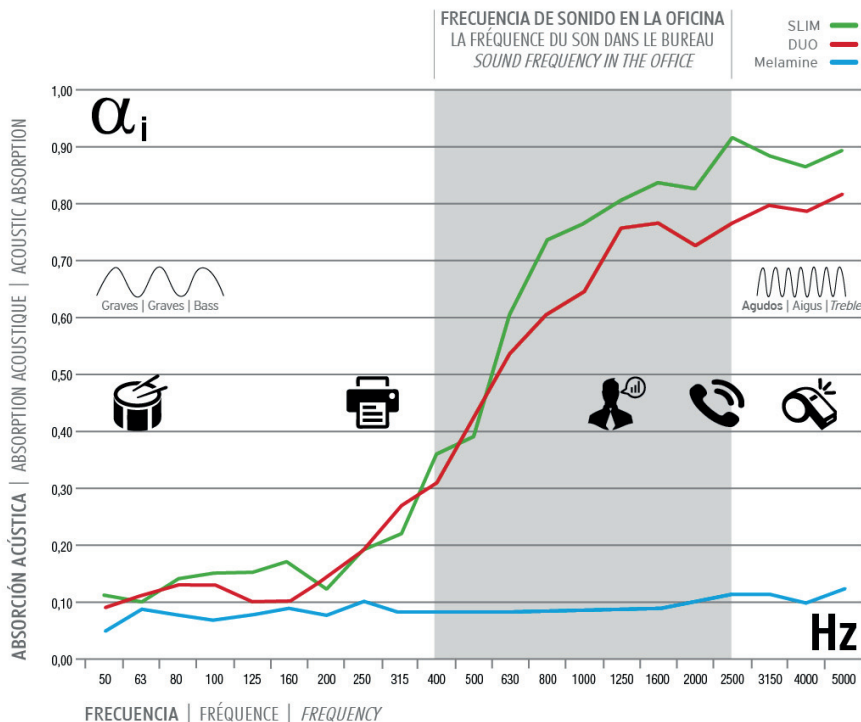
LESS THAN 50 DECIBELS

Study to determine the acoustic absorption values for Duo and Slim panels in an empty room fitted with them, according to regulation ISO 354.

The Duo and Slim acoustic panel range noticeably helps reduce background noise levels and reverberation time in the space, making conversations more intelligible.

Panel Panneau Screen	Sala vacía Pièce vide Empty room	Melamina Mélamine Melamine	DUO	SLIM
RT60 (s)	1,35	1,31	1,15	1,00
ΔL (dB)	---	-0,1	-1,0	-1,5

Estudio realizado con Sonómetro
Étude réalisée avec Sonomètre
Test realized Sound Level Meter



	FREQUENCY	Hz	50	63	80	100	125	160	200	250	315	400	500	630	800	1000	1250	1600	2000	2500	3150	4000	5000
α _i	DUO	1/3	0,09	0,11	0,13	0,13	0,10	0,10	0,14	0,19	0,27	0,31	0,42	0,54	0,61	0,65	0,76	0,77	0,73	0,77	0,80	0,79	0,82
α _i	SLIM	1/3	0,11	0,10	0,14	0,15	0,15	0,17	0,12	0,19	0,22	0,36	0,39	0,61	0,74	0,77	0,81	0,84	0,83	0,92	0,89	0,87	0,90

Maintenance, Quality and Ecology

Our company has the quality certification **ISO 9001** and **TECNALIA** for years, institution that verifies and standardizes raw material and compliance with European norms applicable to office furniture.

Regarding to environmental policy, our company has implemented and certified all the measures contained in the **ISO 14001** and **ISO 14006**. Compliance with these standards facilitates obtaining **LEED** points with our products.

The most suitable for cleaning our furniture is the use of a clean microfiber cloth, slightly moistened with water, without any additional cleaning products. If some dirt is rather difficult to remove, use the same microfiber cloth or a 100% cotton one slightly moist with water and a little neutral soap or window-cleaning fluid (except natural wood). Then, dry the furniture with another soft, dry cloth.

All the products that contain ammonia, caustic or solvent products are not recommended at all. The cleaning products made specifically for furniture usually contain substances like wax to enhance the shine of natural wood surfaces that has been damaged by use and are timeworn, but such substances can give the furniture a greasy look and cause irreversible effects on it. Therefore these are also not recommended.



RECYCLABLE

The components in our furniture are easy to separate out and recycle.



USE

Our products are ergonomic and safe for users.



PRODUCTION

Production processes that are environmentally friendly.



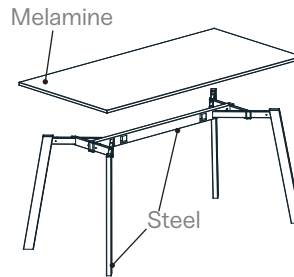
TRANSPORT

We minimise the impact of transport and packaging on the environment.



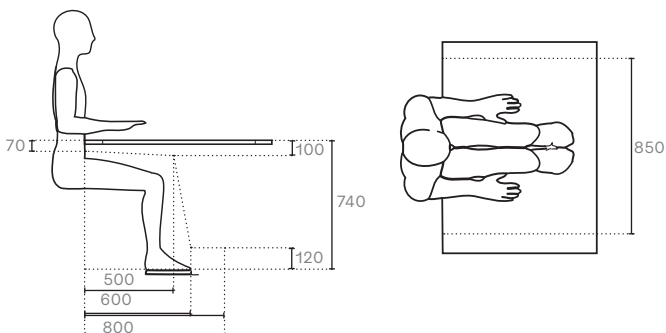
MATERIALS

Recycled materials and secondary metals.



MATERIAL	RECYCLED RAW MATERIAL (%)	END-OF-LIFE RECYCLABILITY (%)
Melamine	30%	100%
Steel	20-30%	100%
PVC	0%	100%
Methacrylate (panels)	0%	100%

Dimensional regulations



CERTIFIED COMPANY IN MANAGEMENT SYSTEM, QUALITY AND ENVIRONMENT BY:



Sistema de Gestión
 ISO 9001:2015
 ISO 14001:2015
 ISO 14006:2011
 www.tuv.com
 ID 1100008125