

BASIC COUNTER

TECHNICAL DATA

Series of reception desks featuring a simple, customisable design that can be adapted to individual needs. Ideal for small reception areas with little space. It enables adding a front panel.





GENERAL TECHNICAL DATA

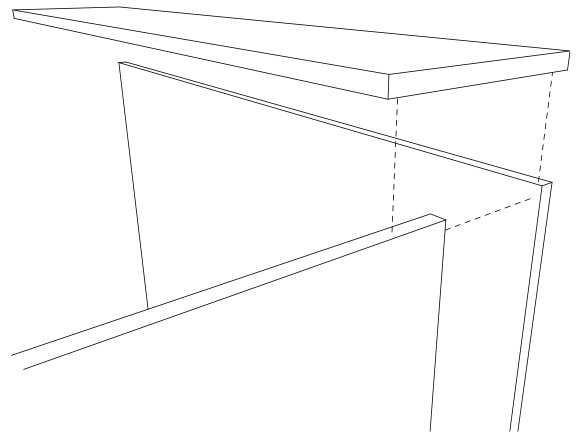
STRUCTURE

⊗ Reception desk comprising high density particle board panels, 30 mm thick melamine-faced for the superior panel, 19 mm for the lateral panels.

- 1 desk top
- 1 front panel
- 1 small upper panel
- 2 self-supporting side panels which do not require any additional structures

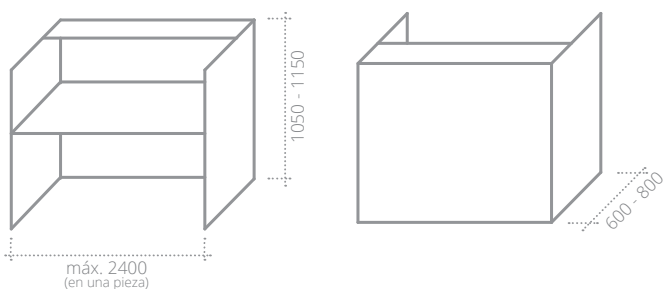
⊗ The panels are joined by brackets which are concealed in the design of the desk, maintaining a sleek silhouette that characterises this series of reception desks.

⊗ The base has levellers.



MEASURES

The BASIC series features a wide range of dimensions. Recommended height: between 1050 and 1150 mm. Depth: between 600 and 800 mm. Maximum length: 2400 mm if a single-piece front panel is requested.



FINISHES

Melamine-faced particle board on both sides, 19 or 30 mm in thickness and edged with 2 mm PVC in the same finish. They can be combined in any way, such as the modesty panel in one colour and the rest of the structure in another.



TPOLOGIES

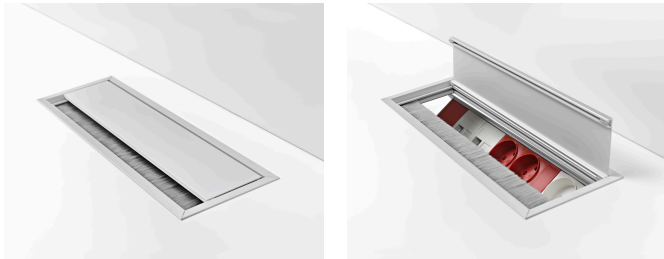
MODESTY PANEL

A 19 mm thick privacy panel can be added to the upper side of the BASIC reception desk in dimensions suited to the needs of each user. The panel trim possibilities are the same as for the desk and a single colour or a combination of colours can be chosen.



OPERATIVE TOP ACCESS

Made with 1.2 mm extruded aluminium measuring 320x100 mm. Latch closing mechanism and bristle edged grommet. Available in multiple positions and fully adjustable to user needs (view in price list).



TRAY FOR OPERATIVE TOP ACCESS

Individual cable management in 2 mm steel plate tilted at 148 degrees for easy access to the sockets and voice and data network. They are especially suitable for the Top Access measuring 320 x 100 mm. Joined directly onto the desk top with screws.



DPTP



Made with two easy to assemble ABS plastic injection pieces. The interior diameter measures 80 mm; the exterior dimensions measure 94x94 mm. It has a gap to pass cables through. Available in several positions (view in price list).

WIRING TRAY



Metal tray screwed directly onto the desk top which houses the wiring. Available in a wide range of dimensions (360 - 1400 mm). Compatible with JG Group sockets. Aluminium and white trim.

WIRING ACCESSORY



Metallic accessory for raising/lowering cables, joined directly onto the panel with screws. It houses the wiring in the space left when joining it to the panel. Dimensions: 712 x 121 x 76 mm. Finish: white, textured aluminium or titanium.

MAINTENANCE, QUALITY AND ECOLOGY

Our company has the quality certification ISO 9001 and TECNALIA for years, institution that verifies and standardizes raw material and compliance with European norms applicable to office furniture.

Regarding to environmental policy, our company has implemented and certified all the measures contained in the ISO 14001 and ISO 14006, and also supplies by demand the forest certification of chain of custody for PEFC and FSC systems, ensuring that the wood used comes from sustainable forest management. Compliance with these standards facilitates obtaining LEED points with our products.

The most appropriate method to clean our furniture is to use a clean microfiber cloth, slightly moist with water, without any additional cleaning products. If some dirt is rather difficult to remove, use the same microfiber cloth or a 100% cotton one slightly moist with water and a little neutral soap or window-cleaning fluid (except natural wood). Then, dry the furniture with another soft, dry cloth. All the products that contain ammonia, caustic or solvent products are not recommended at all.

The cleaning products made specifically for furniture usually contain substances like wax to enhance the shine of natural wood surfaces that has been damaged by use and are timeworn, but such substances can give the furniture a greasy look and cause irreversible effects on it. Therefore these are also not recommended.



RECYCLABLE

The components in our furniture are easy to separate out and recycle.



TRANSPORT

We minimise the impact of transport and packaging on the environment.



USE

Our products are ergonomic and safe for users.



MATERIALS

Recycled materials and secondary metals.



PRODUCTION

Production processes that are environmentally friendly

Regulations

Cabinets: UNE-EN 14073-2:2005 / UNE-EN 14073-3:2005 / UNE-EN 14074:2005.

Materials: Technical specifications prescribed by TECNALIA.



The mark of responsible forestry

