

# MONITOR ARMS

---

TECHNICAL DATA



## MONITOR ARMS

### ACB-SP1 ARM FOR A SINGLE MONITOR

Arm suitable for a monitor Joined to the edge of the table by a clamp.  
Maximum load: 14 kg. Standard joining plate: 7.5 x 7.5 / 10 x 10 cm.

SERIE	TPOLOGY of the TABLES	ACB-SP1	ACB-SP2
TCARE	OPERATIVES	YES	YES
	BENCH	YES	YES
INSPIRA	OPERATIVES	YES	YES
	BENCH	YES	YES
	BENCH ELECTRIF.	NO	YES*
TWORK	OPERATIVES	YES	YES
	2 TOPS BENCH	YES	YES
ADAPTA+ / 2+	SINGLE TOP BENCH	NO	YES*
	OPERATIVES	YES	YES
	2 TOPS BENCH	YES	YES
	SINGLE TOP BENCH	NO	YES*
MODUL A / B	SLIDING TOP BENCH	NO	NO
	OPERATIVES	YES	YES
	BENCH	NO	YES
SINTRA 1,3,5	OPERATIVES	YES	YES
2 MOVE	OPERATIVES	NO	NO
ADAPTA	OPERATIVES	YES	YES
	BENCH	YES	YES

### GLOSSARY:

SI: Compatible - NO: not compatible

### ACB-SP2 ARM FOR TWO MONITORS

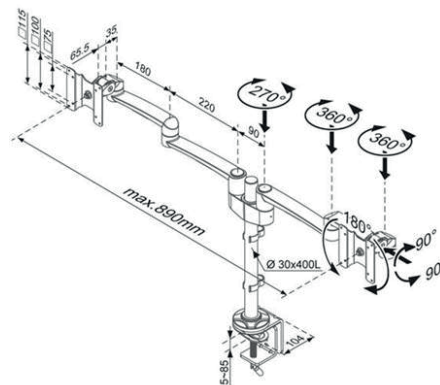
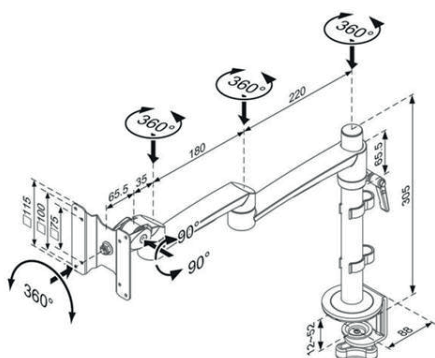
Arm suitable for two monitors Joined to the edge of the table by a clamp or by 4 direct screws to the table top. The models marked with an asterisk \* (see table) are always installed with 4 direct screws to wood. Maximum load: 28 kg. Maximum monitor length: 66 cm. Standard joining plate: 7.5 x 7.5 / 10 x 10 cm.



ACB-SP1



ACB-SP2



## MAINTENANCE, QUALITY AND ECOLOGY

Our company has the quality certification ISO 9001 and TECNALIA for years, institution that verifies and standardizes raw material and compliance with European norms applicable to office furniture.

Regarding to environmental policy, our company has implemented and certified all the measures contained in the ISO 14001 and ISO 14006, and also supplies by demand the forest certification of chain of custody for PEFC and FSC systems, ensuring that the wood used comes from sustainable forest management. Compliance with these standards facilitates obtaining LEED points with our products.

If some dirt is rather difficult to remove, use the same microfiber cloth or a 100% cotton one slightly moist with water and a little neutral soap or window-cleaning fluid (except natural wood). Then, dry the furniture with another soft, dry cloth. All the products that contain ammonia, caustic or solvent products are not recommended at all.

The cleaning products made specifically for furniture usually contain substances like wax to enhance the shine of natural wood surfaces that has been damaged by use and are timeworn, but such substances can give the furniture a greasy look and cause irreversible effects on it. Therefore these are also not recommended.



### RECYCLABLE

The components in our furniture are easy to separate out and recycle.



### MATERIALS

Recycled materials and secondary metals.



### USE

Our products are ergonomic and safe for users.



### TRANSPORT

We minimise the impact of transport and packaging on the environment.



### PRODUCTION

Production processes that are environmentally friendly.

## CERTIFIED COMPANY IN MANAGEMENT SYSTEM, QUALITY AND ENVIRONMENT BY:



Sistema de  
Gestión  
ISO 9001:2015  
ISO 14001:2015  
ISO 14006:2011  
[www.tuv.com](http://www.tuv.com)  
ID 1100008125